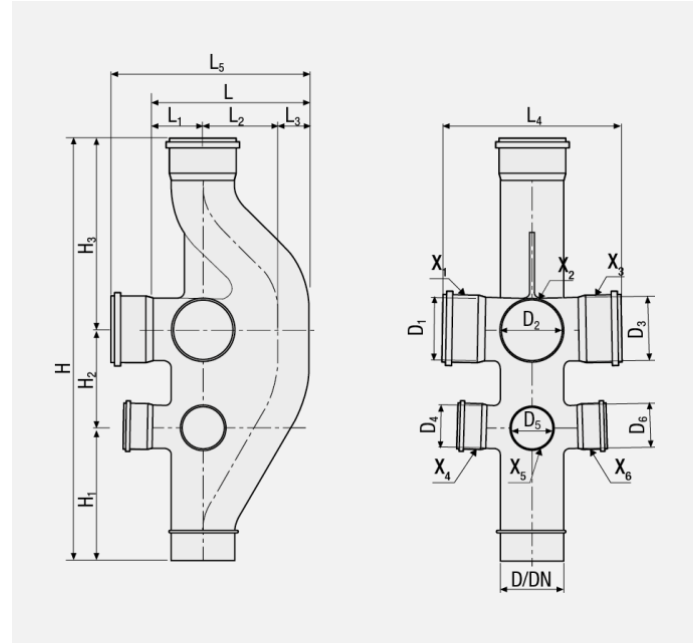


TRIPLUS VBF

VENTILATION BRANCH FITTING 110



Triplus® soundproofing waste system with Ventilation Branch Fitting (VBF), made of three-layer pipes with the external and internal polypropylene blue layer and a middle layer made of black polypropylene mixed with mineral additives. Fittings are made of polypropylene with mineral fillers

All the raw material used in the manufacturing process are Halogen free.

Manufactured and certified by the major international laboratories to be in accordance with EN 1451-1 and suitable for the disposal of fluids, depending on ISO TR 10358, at an atmospheric pressure and at a maximum continuous temperature of 80°C and a non-continuous maximum temperature of 95°C, with ph between 2 and 12.

Minimum environmental temperature of employ is -25 °C.

The Triplus® ventilation Branch Fitting (VBF) is equipped with a D 110 connection to the waste stack, and 6 different inlets for the horizontal piperuns.

VBF has three upper DN 100 (OD 110 mm) connections for sanitary fixtures such as WC, washbasin, bidet, shower, sink or any other sanitary fixture with a discharge ratio (DU) lower than 2,5 l/s, and three lower DN 70 (OD 75 mm) for any sanitary fixture with a discharge ratio (DU) lower than 1,5 l/s (therefore WCs are not included)

The six connections of the Ventilation Branch Fitting (VBF) can be used all at the same time.

Dimensions.

COD.	D	DN	D _{1/2/3}	D _{4/5/6}	L	L ₁	L ₂	L ₃	L ₄	L ₅	H	H ₁	H ₂	H ₃
VS0651X ₁ X ₂ X ₃ X ₄ X ₅ X ₆	110	100	110	75	265	85	130	50	300	345	780	245	170	365

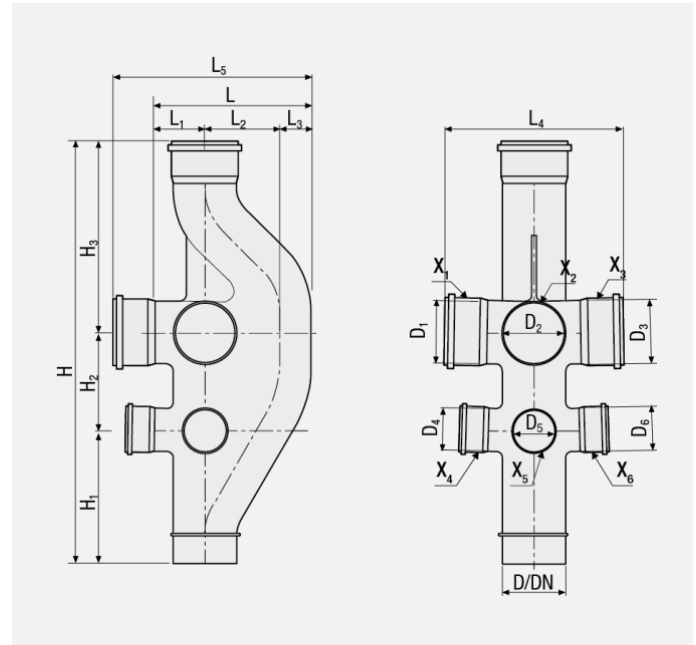
Characteristics

Code	VS0651XXXXXX
Vertical connection D	110 mm
Max. number of connections D. 110 mm	3
Max. number of connections D. 75 mm	3
Welding sockets	from factory / on site
Raw material	Triplus (PP + Minerals)
Seal material	SBR
Max temperature of waste water	80°C (continuous) 95°C (intermittent)
Standard achievable flow rate	13 l/s (*)

* Values above 10 l/s are allowed, but strictly related to the system configuration and to the design choices that characterize it (direction changes, ventilation branches length, number of sanitary fixtures per floor, common ventilations, etc.). In such cases, it is recommended to involve Valsir technical department.

TRIPLUS VBF

VENTILATION BRANCH FITTING 160



Triplus® soundproofing waste system with Ventilation Branch Fitting (VBF), made of three-layer pipes with the external and internal polypropylene blue layer and a middle layer made of black polypropylene mixed with mineral additives. Fittings are made of polypropylene with mineral fillers

All the raw material used in the manufacturing process are Halogen free.

Manufactured and certified by the major international laboratories to be in accordance with EN 1451-1 and suitable for the disposal of fluids, depending on ISO TR 10358, at an atmospheric pressure and at a maximum continuous temperature of 80°C and a non-continuous maximum temperature of 95°C, with ph between 2 and 12.

Minimum environmental temperature of employ is -25 °C.

The Triplus® ventilation Branch Fitting (VBF) is equipped with a DN 150 (De 160 mm) connection to the waste stack, and 6 different inlets for the horizontal piperuns.

VBF has three upper DN 100 (OD 110 mm) connections for sanitary fixtures such as WC, washbasin, bidet, shower, sink or any other sanitary fixture with a discharge ratio (DU) lower than 2,5 l/s, and three lower DN 70 (OD 75 mm) for any sanitary fixture with a discharge ratio (DU) lower than 1,5 l/s (therefore WCs are not included)

The six connections of the Ventilation Branch Fitting (VBF) can be used all at the same time.

Dimensions.

COD.	D	DN	D _{1/2/3}	D _{4/5/6}	L	L ₁	L ₂	L ₃	L ₄	L ₅	H	H ₁	H ₂	H ₃
VS0654X ₁ X ₂ X ₃ X ₄ X ₅ X ₆	160	150	110	75	300	100	145	55	340	380	880	310	170	400

Characteristics

Code	VS0654XXXXXX
Vertical connection D	160 mm
Max. number of connections D. 110 mm	3
Max. number of connections D. 75 mm	3
Welding sockets	from factory / on site
Raw material	Triplus (PP + Minerals)
Seal material	SBR
Max temperature of waste water	80°C (continuous) 95°C (intermittent)
Standard achievable flow rate	27,4 l/s (*)

* Values above 21.1 l/s are allowed, but strictly related to the system configuration and to the design choices that characterize it (direction changes, ventilation branches length, number of sanitary fixtures per floor, common ventilations, etc.). In such cases, it is recommended to involve Valsir technical department.