

**BAXI**

**SPC PLUS**

**MONOBLOC heat pump water heater**

---

# SPC PLUS

NEW



- New design and technology
- New range: 200 e 250 litres (including coil version)
- Max water temp: 65 °C (without electrical integration)
- New functionalities: **PV contact**, hybrid systems (with boiler or solar systems)
- Quite functioning and high performances
- Compact, light and easy to install



**BAXI**

# SPC PLUS

## RANGE



SPC 200 PLUS



SPC 200 S PLUS




SPC 250 PLUS



SPC 250 S PLUS

# SPC PLUS

## TECHNICAL FEATURES:

- DWH production up to **65 °C**
- Wide functioning range of the heat pump: from **-7 °C** to **+42 °C**
- **R290** refrigerant (GWP = 3)
- Electrical backup **1.8 kW**
- Low electrical consumption: **450 W**
- Integration with boiler or solar systems (coil version)
- PV contact (to optimize the consumption of the electrical power from your PV system)
- Advanced display with explicative text (MK2.2) → 
- **Hourly programming and consumptions monitoring**
- Antilegionella function
- Electric titanium anode



# SPC PLUS

## OPERATION MODE



### 1. ECO MODE:

Max energy saving. Only the heat pump is working (electrical backup is disabled);

### 2. MODALITÀ COMFORT:

Max comfort. DHW production with heat pump, if necessary the electrical integration or the hydraulic integration (with boiler) are enabled;

### 3. BOOST:

the DHW is produced as fast as possible, using the heat pump and the backup at the same time;

### 4. HOLIDAY MODE:

DHW setpoint is reduced in order to save energy during the holiday period;

### 5. ANTILEGIONELLA FUNCTION:

Thermal shock for antibacterial treatment (adjustable from 60 °C to 75 °C). This function can be scheduled as daily or weekly.

# SPC PLUS

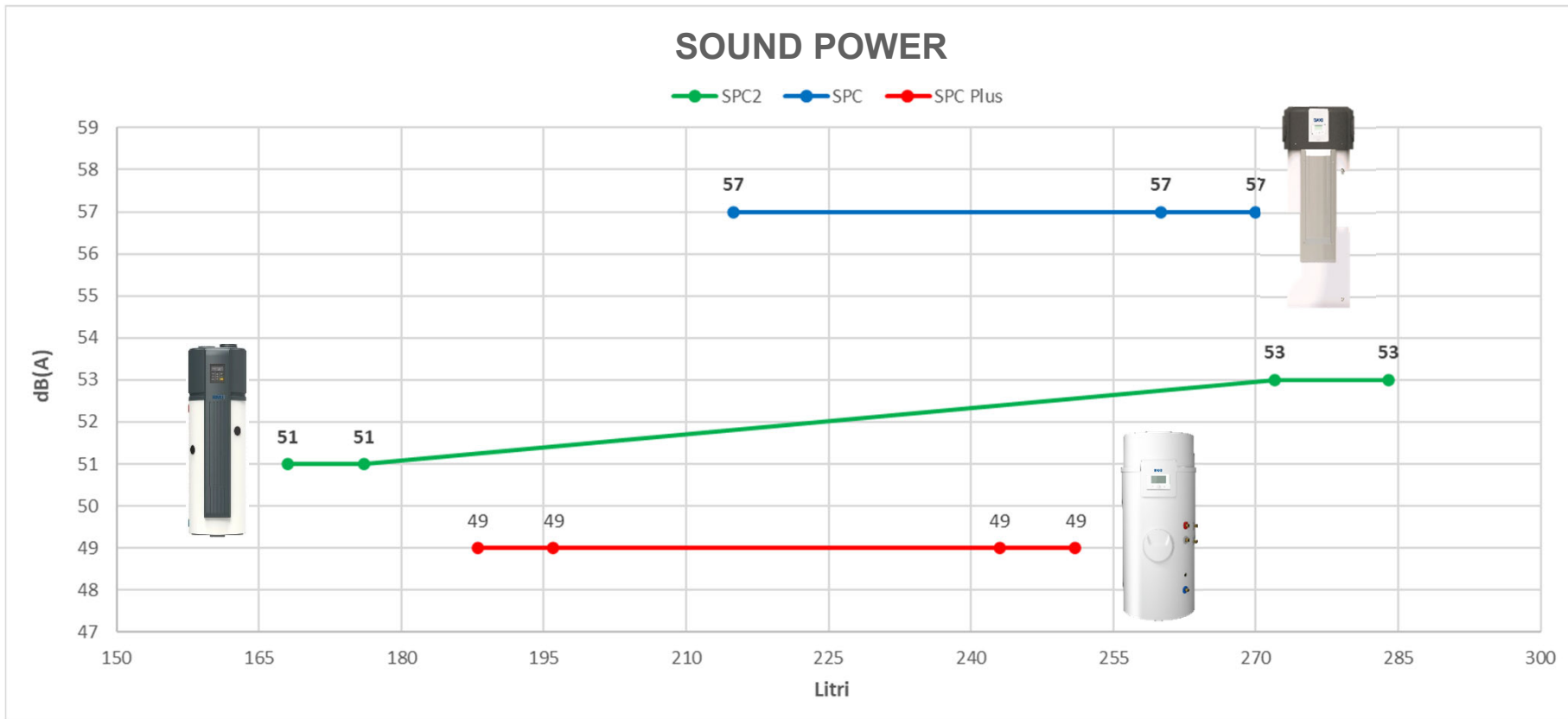
## ELEVATE PRESTAZIONI



		SPC 200 Plus	SPC 250 Plus	SPC 200S Plus	SPC 250S Plus	
Nominal outputpower (1)	kW	1,35	1,32	1,34	1,30	
Input power (1)	kW	0,44	0,38	0,43	0,40	
COP (1)		3,09	3,48	3,15	3,28	
Volume	lt	196	251	188	243	
Energy efficiency (2)		A+	A+	A+	A+	
Load profile		L	XL	L	XL	
Heating efficiency	$\eta_{wh}$ (2)	%	128%	143%	130%	135%
Heating time (1)		6h33m	8h56m	6h29m	8h37m	
Ewlectrical backup	kW	1,80	1,80	1,80	1,80	
Max operating pressure	bar	10	10	10	10	
Coil surface	m <sup>2</sup>	---	---	0,93	0,93	
Heating losses	W/K	1,76	1,99	1,69	2,31	
Nominal air flow(1)	m <sup>3</sup> /h	380	380	380	380	
Nominal static head	Pa	50	50	50	50	
Max DHW temperature*	°C	65	65	65	65	
min/max outdoor air temp. (ducted installation)	°C	-7/+42	-7/+42	-7/+42	-7/+42	
Min room volume (ducted installation)	m <sup>3</sup>	10	10	10	10	
Max lenght if ducted system	m	20	20	20	20	
refrigerant		R290				
Refrigerant content	kg	0,15	0,15	0,15	0,15	
	tCO <sub>2</sub> e	0,00	0,00	0,00	0,00	
Sound power, L <sub>wa</sub>	dB(A)	49	49	49	49	
Electrical connection	V/Ph/Hz	230/1/50	230/1/50	230/1/50	230/1/50	
Dimensions (h x d)	mm	1528 x 667	1760 x 667	1528 x 667	1760 x 667	
Weight (empty)	kg	88	99	102	113	

# SPC PLUS

## QUIET OPERATION



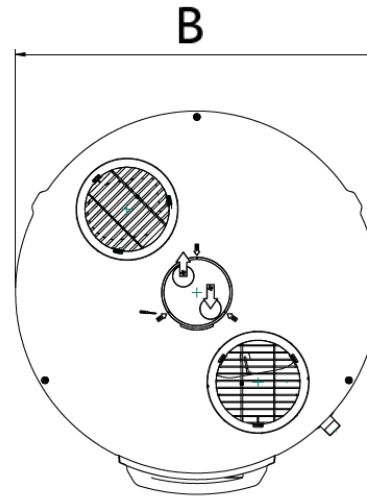
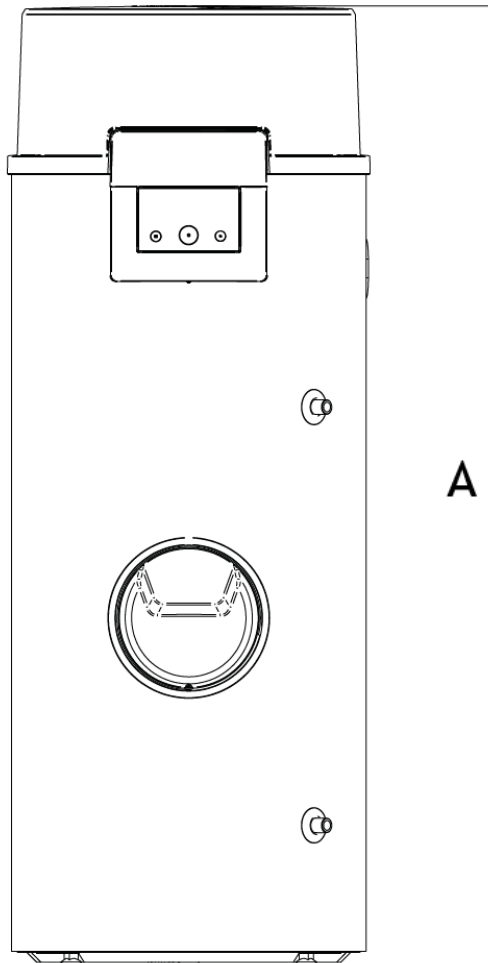
Sound pressure @2m = 35 dB(A)

Library



# SPC PLUS

## DIMENSIONS

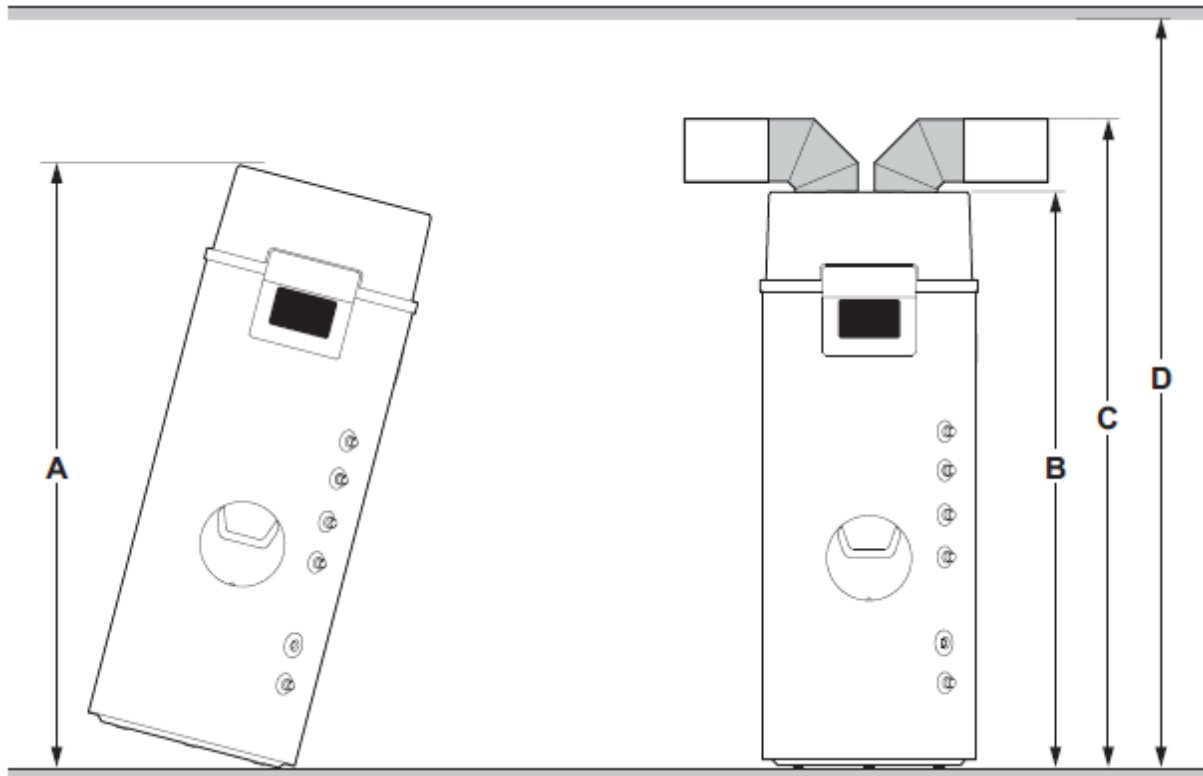


	SPC 200 PLUS SPC 200 S PLUS	SPC 250 PLUS SPC 250 S PLUS
A (height)	1528 mm	1760 mm
B (diameter)	667 mm	667 mm



# SPC PLUS

## DIMENSIONS



	SPC 200 PLUS SPC 200 S PLUS	SPC 250 PLUS SPC 250 S PLUS
A	1630 mm	1840 mm
B	1530 mm	1760 mm
C	1790 mm	2020 mm
D	> 1820 mm	>2050 mm

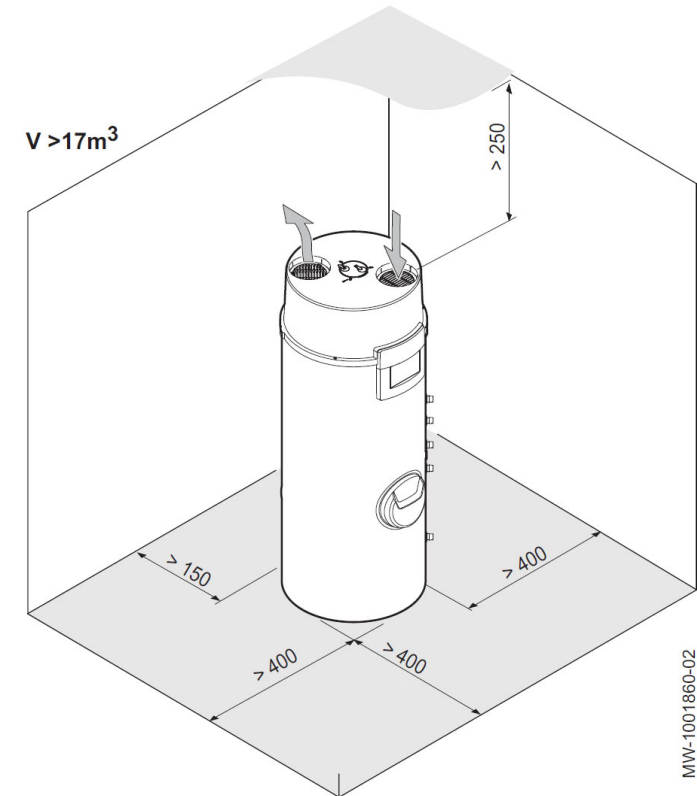
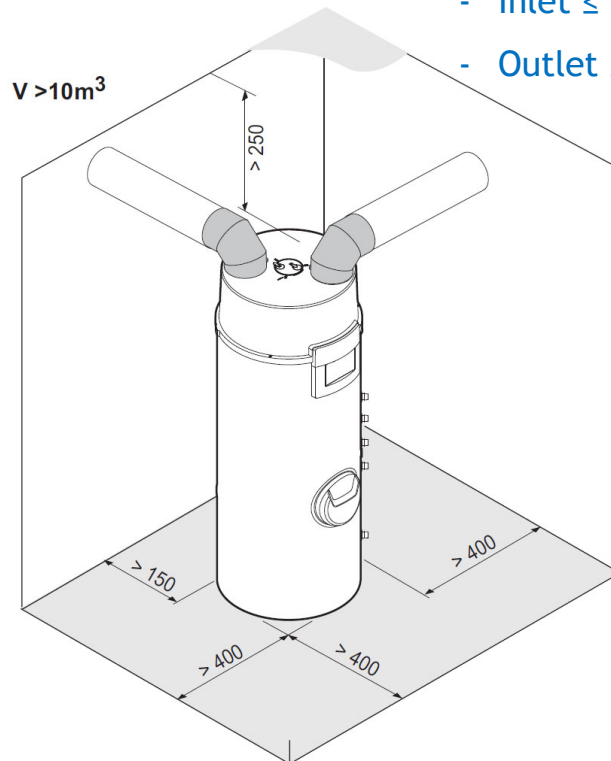
# SPC PLUS

## DUCTED CONNECTION and MINIMUM VOLUME



Max lenght 20 metri:

- Inlet  $\leq 10$  m
- Outlet  $\leq 10$  m

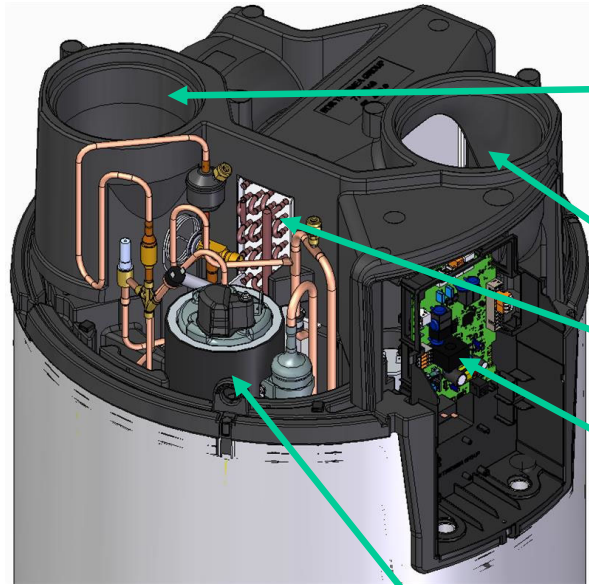


MW-1001860-02

It is possible to take the air directly from the room and duct only the outlet.

# SPC PLUS

## COMPONENTS



Air outlet

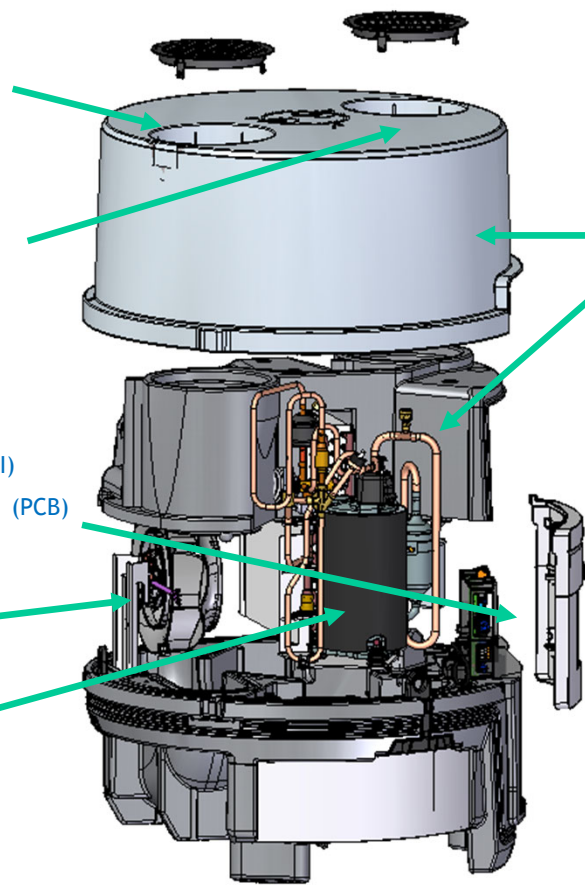
Air inlet

Evaporator

Control panel (HMI)  
and electronic board (PCB)

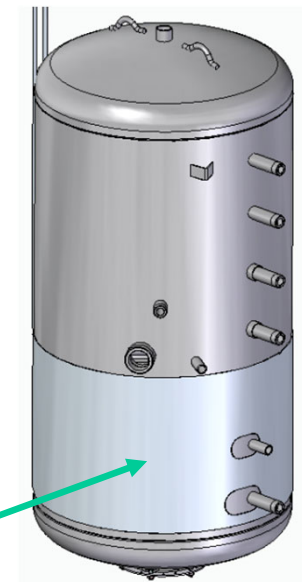
Fan

Compressor



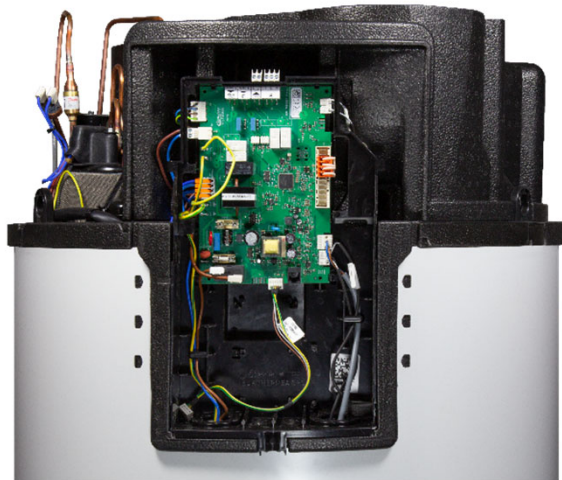
Covers

Condenser

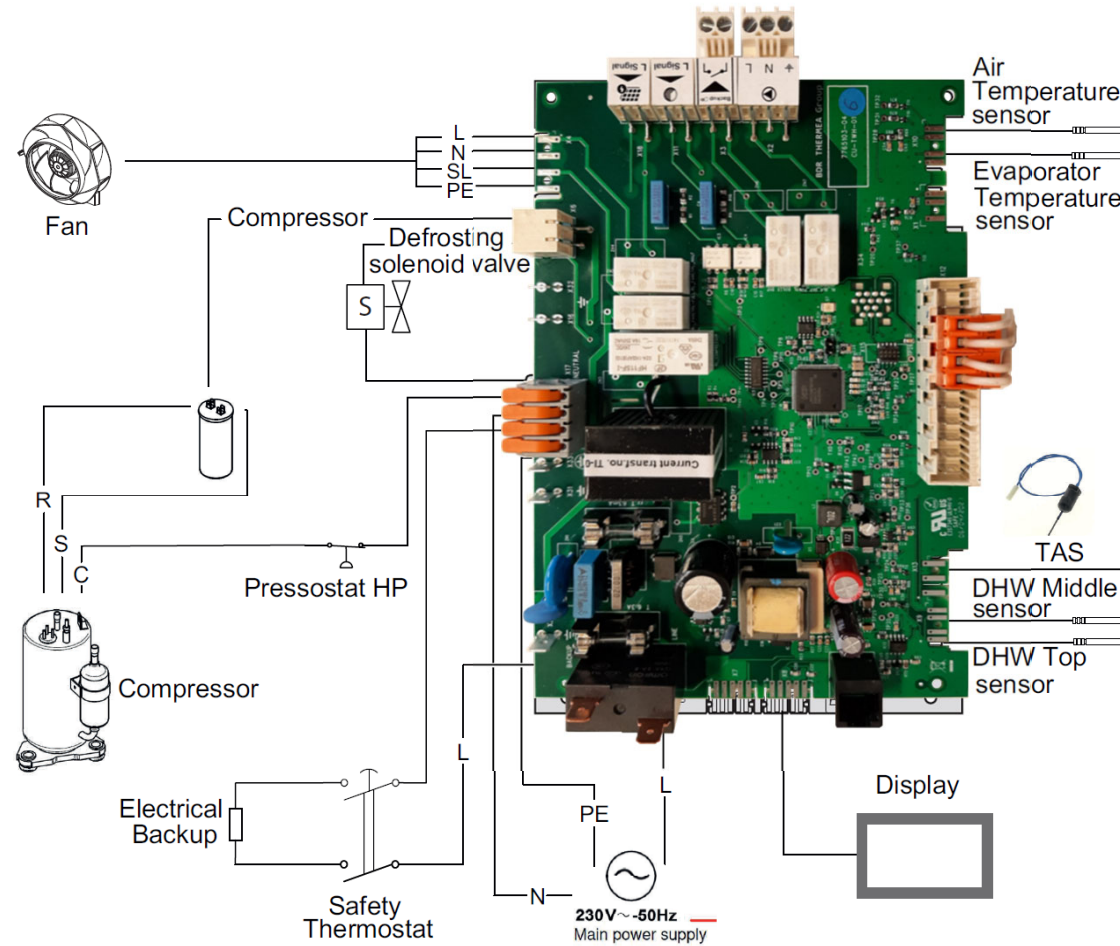


# SPC PLUS

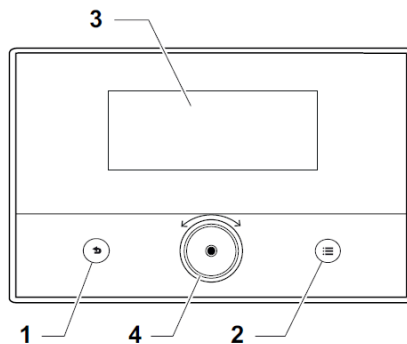
## PCB ed HMI



## PCB - Electronic board



## HMI - Control panel



- 1 Pulsante indietro ↩
- 2 Pulsante menu principale ☰
- 3 Display
- 4 Tasto di selezione/conferma ⏵

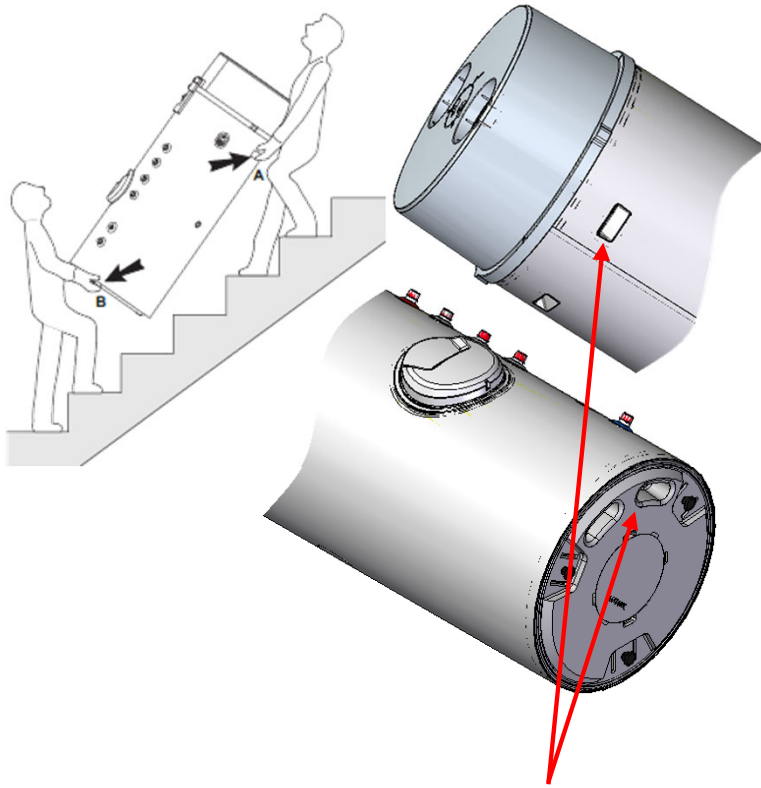
Easy access to PCB =

**EASY INSTALLATION AND MAINTENANCE**



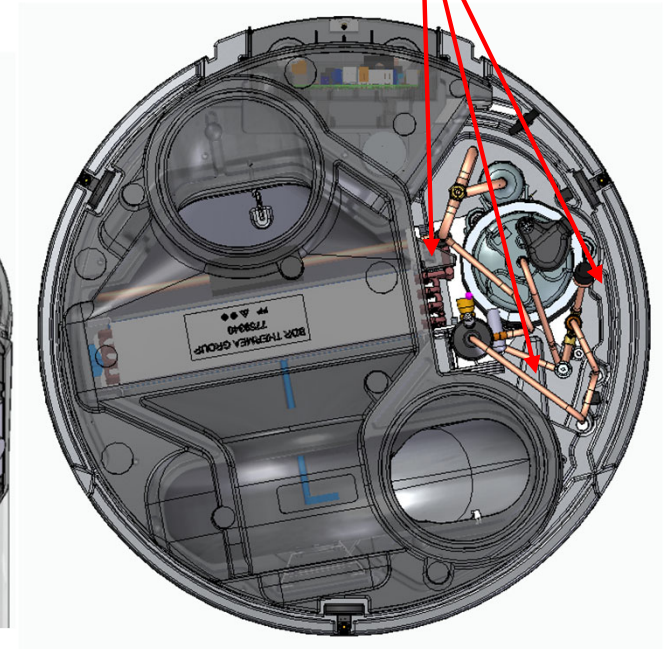
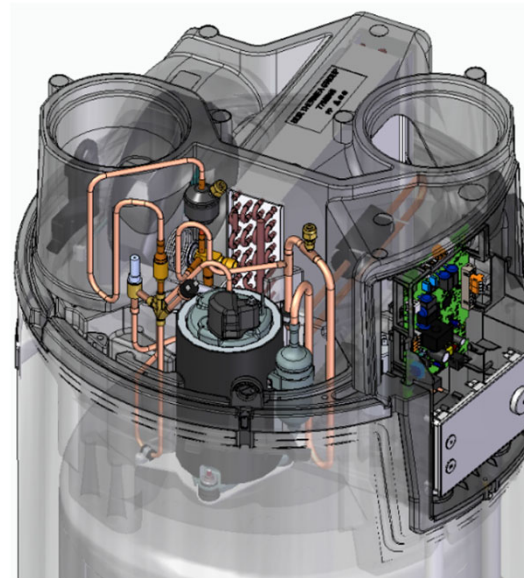
# SPC PLUS

## EASY TO TRANSPORT



- Handles in the upper and lower part
- Adjustable anti-vibration rubber support

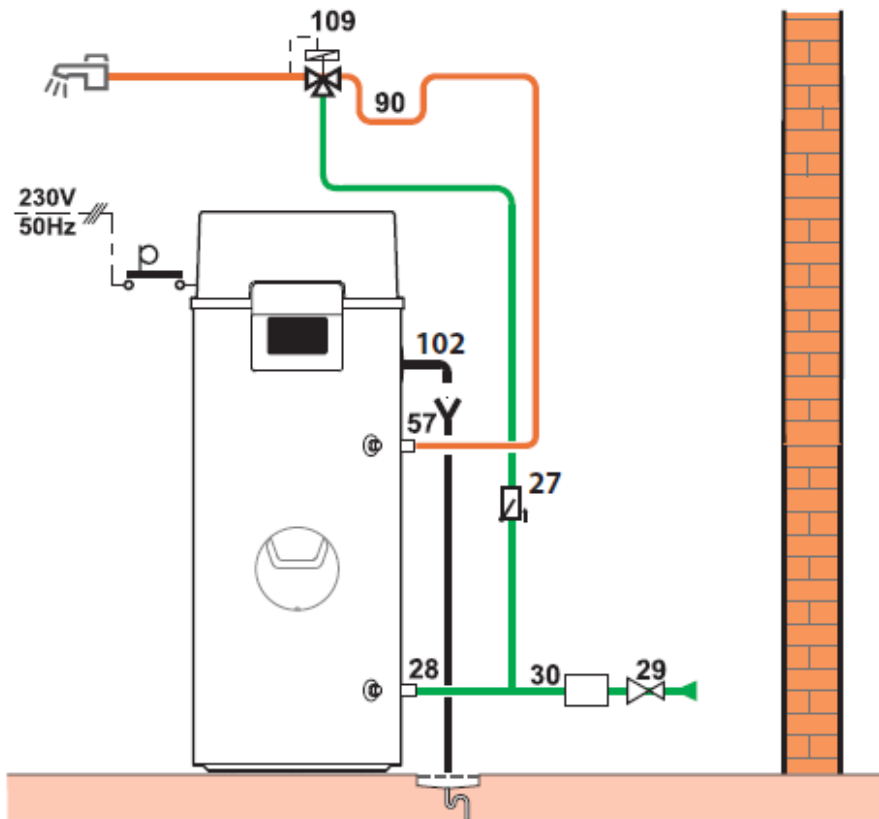
The innovative cover in EPP keeps the compressor in the right position during the transport, no brackets are needed.



NO fixing brackets to be removed

# SPC PLUS

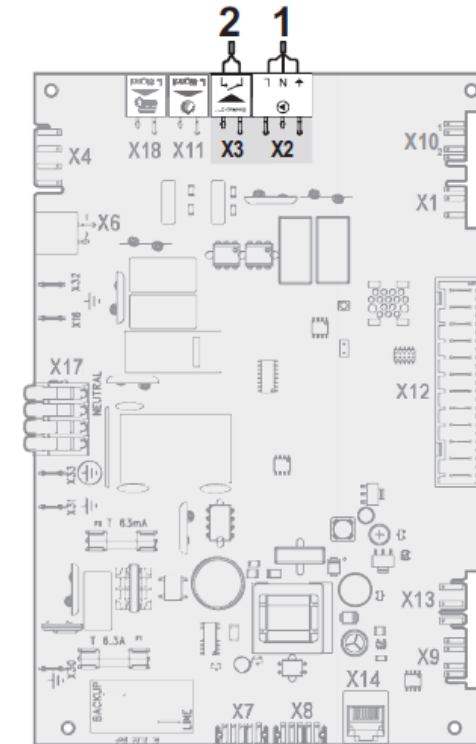
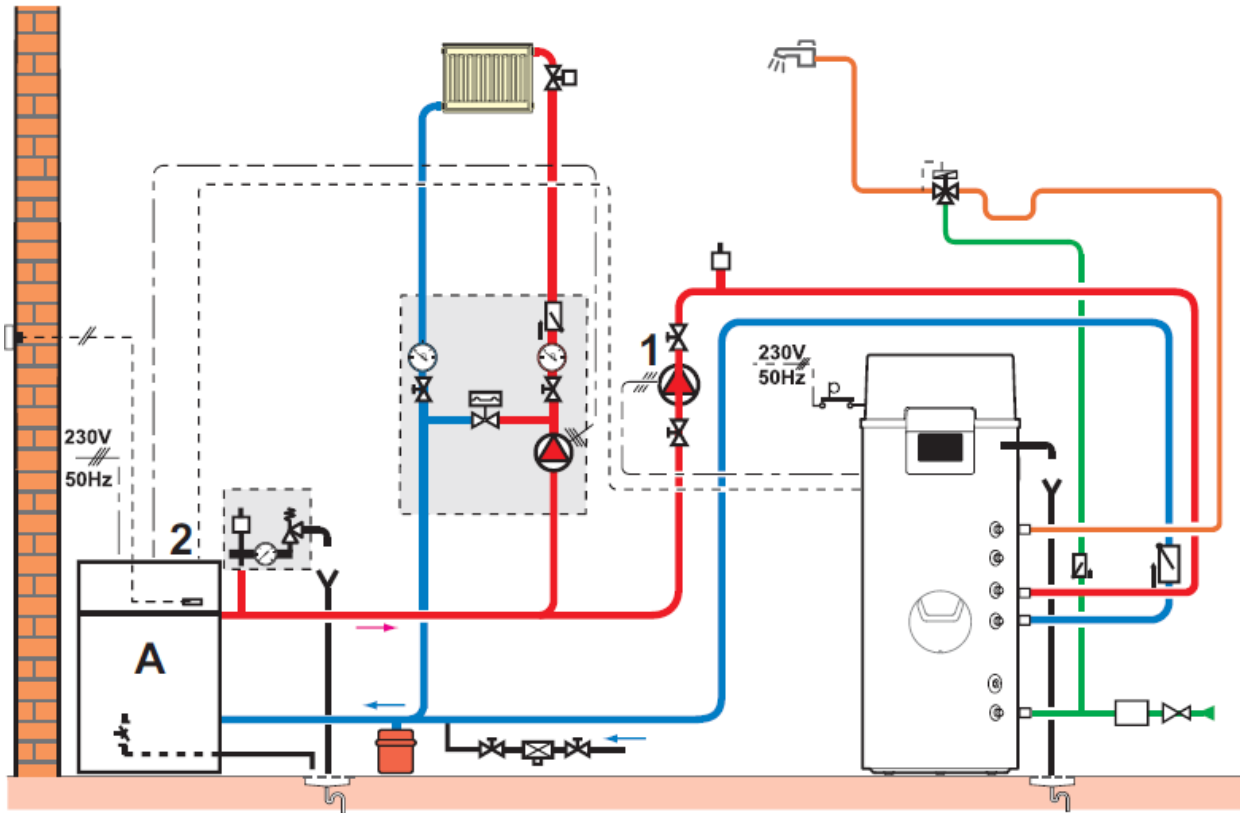
## Scheme 1



- 27 Non-return valve
- 28 Domestic cold water inlet with dielectric union
- 29 Pressure reducer
- 30 Safety unit
- 57 Domestic hot water outlet with dielectric union
- 90 Anti-thermosiphon loop
- 102 Condensate drain hose
- 109 Thermostatic mixing valve

# SPC PLUS

## Scheme 2

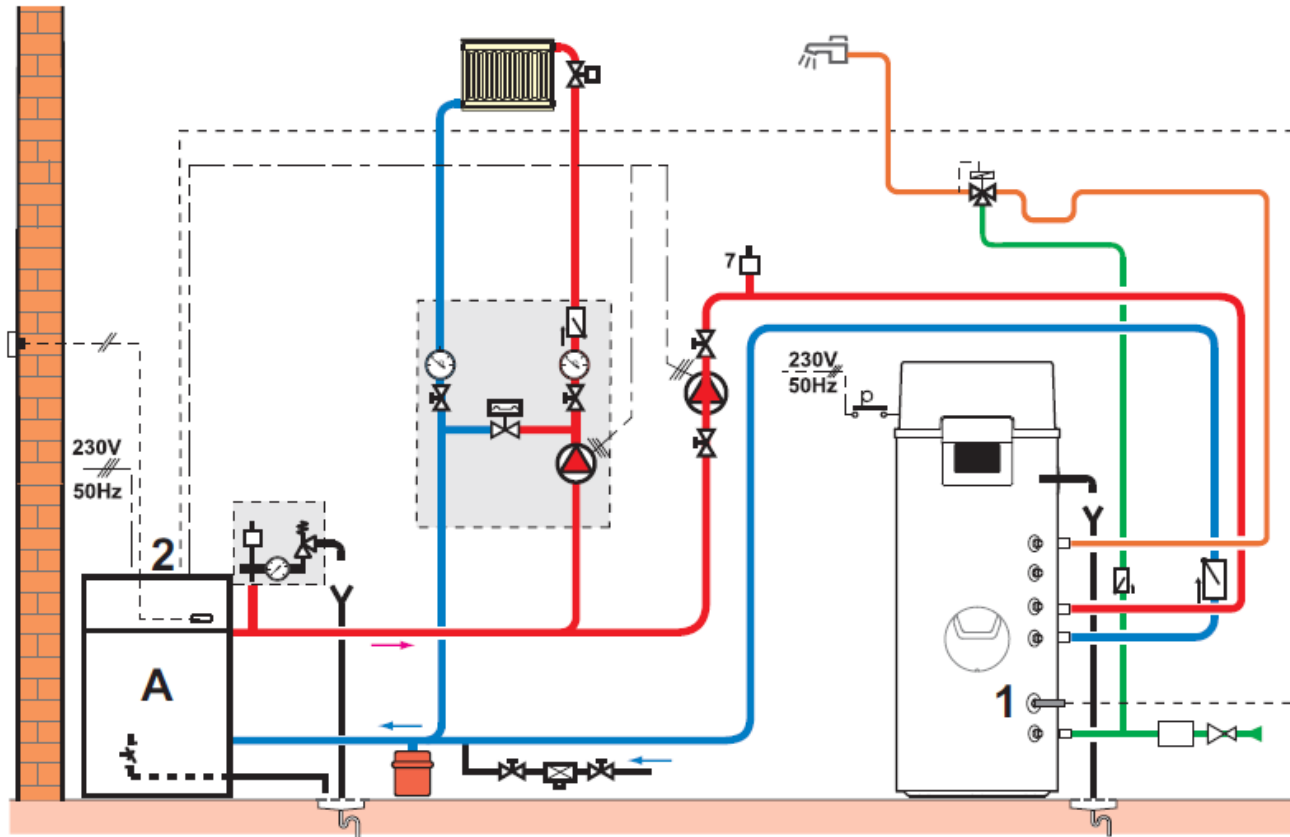


- A Boiler
- 1 Hydraulic backup booster pump
- 2 Boiler domestic hot water sensor contact

1. Connect the boiler domestic hot water sensor contact to X3 on the CU-HW-01 PCB.
2. Connect the hydraulic backup booster pump to X2 on the CU-HW-01 PCB.
3. On the backup boiler, set the flow temperature to a maximum of 80 °C.

# SPC PLUS

## Scheme 3



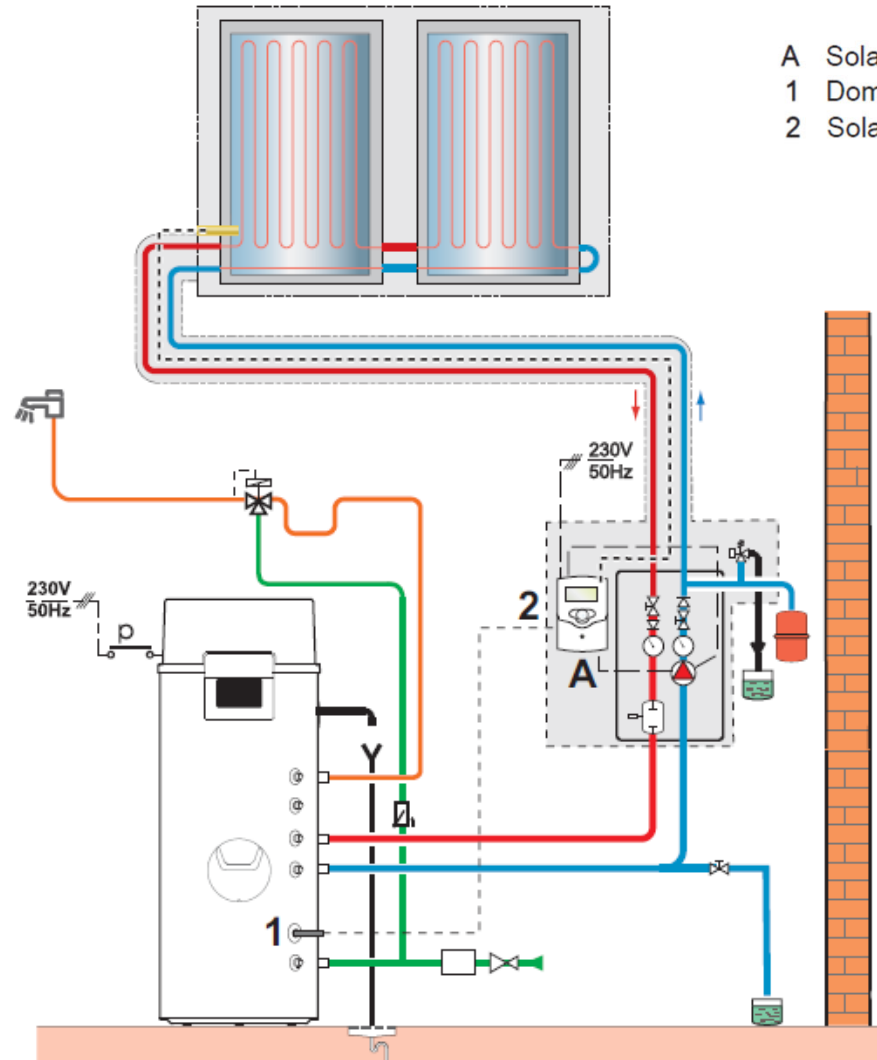
- A Boiler
- 1 Domestic hot water temperature sensor
- 2 Boiler domestic hot water sensor contact

1. Install the domestic hot water temperature sensor in the sensor tube.
2. Connect the domestic hot water temperature sensor to the domestic hot water sensor contact on the boiler.
3. On the backup boiler, set the flow temperature to a maximum of 80 °C.



# SPC PLUS

## Scheme 4




- A Solar collector control
- 1 Domestic hot water temperature sensor
- 2 Solar collector control contact

1. Install the domestic hot water temperature sensor in the sensor tube.
2. Connect the domestic hot water temperature sensor to the solar control.
3. Limit the hydraulic backup flow temperature to 80 °C on the solar control system.

# SPC PLUS

## ACCESSORIES



Accessories for SPC PLUS	CODE
 <p><b>High efficiency wall grid for SPC PLUS</b> Horizontal terminal with high efficiency grid that limits pressure drops (1pc).</p>	A7802056
<p><b>Horizontal connection kit for SPC PLUS</b> It consists of: bend (90°) <math>\Phi</math>160mm, pipe (1m length) <math>\Phi</math>160mm and fixing collar. <b>N°2 pcs to be ordered in case is necessary to duct both inlet and outlet.</b></p>	A7789239

