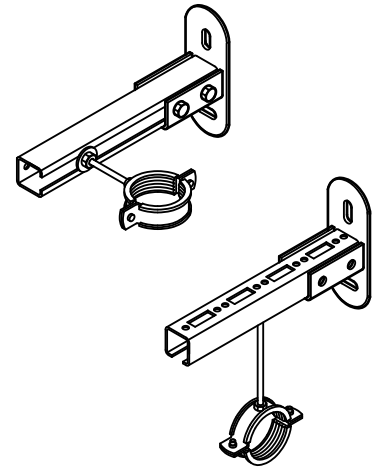


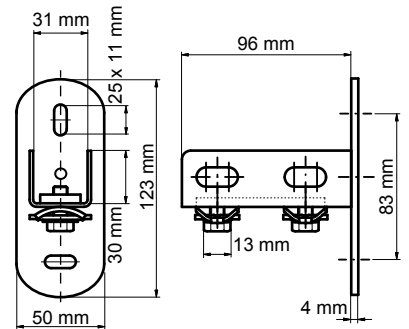
BIS RapidRail® Wall Plate

fixing to wall



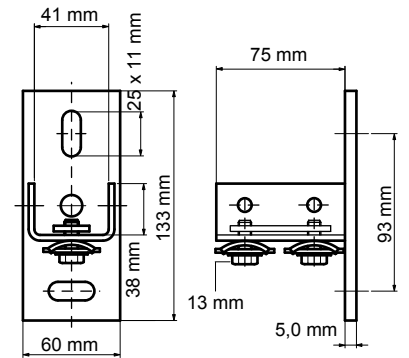
Features and Benefits

- U-profile welded on wall plate
- for wall fixing of rail
- rail can be fixed with slot downwards or sideways
- suitable for WM0, 1, 15, 2, 30
- slots at 90° to each other to simplify fixing
- CO₂ welded
- with pre-assembled BIS RapidRail® Sliding nut(s) for a quick fixing, and retains assembly in place before final tightening
- material: metal parts made of steel 1.0332; spring(s) made of POM (polyoxymethylene), green
- zinc plated



661 3 200

Part No.	For Rail	Pack 1
661 3 200	WM0 - 30	25
661 3 235	WM35	25



661 3 235

Complementary

BIS RapidRail® Fixing Rail

179