

ENGINEERING
TOMORROW

Danfoss



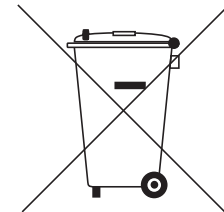
RET1000 B/M/MS

Electronic dial setting thermostat

Installation Guide

**For a large print version of these instructions
please call Marketing on 0845 121 7400.**

This product complies with the following EC Directives:
Electro-Magnetic Compatibility Directive.
(EMC) (2004/108/EC)
Low Voltage Directive.
(LVD) (2006/95/EC)
Restriction of the use of certain Hazardous Substances
(RoHS) (2011/65/EU)



Danfoss can accept no responsibility for possible errors in catalogues, brochures, and other printed material. All trademarks in this material are property of the respective companies. Danfoss and the Danfoss logotype are trademarks of Danfoss A/S. All rights reserved.

Installation Instructions

Specifications	RET1000MS	RET1000M	RET1000B
Operating Voltage	230Vac \pm 15%, 50/60Hz		2.5 - 3 VDC (2xAA batteries)
Output	230Vac	Volt free	
Setting temp. range	5-30°C		
Operating temp. range	0-45°C		
Switch rating	3A (1) at 230Vac		
Switch type	1 x SPDT Type 1B		
Battery lifetime	N/A		Min. 2 years
IP rating	IP20		
On/off control	Yes		
Chrono-proportional control	Yes		
Construction	EN 60730-2-9		
Control pollution situation	Degree 2		
Rated impulse voltage	2.5kV		
Ball pressure test	75°C		
Dimensions (mm)	H84 x W84 x D37		
Software Classification	A		

GB

DE

DK

ES

FR

NL

RU

TR

Mounting

GB

DE

DK

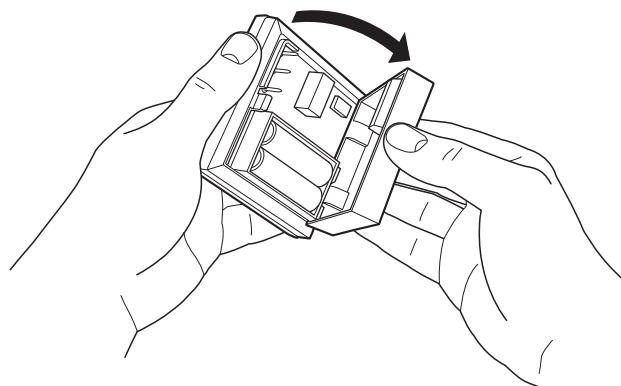
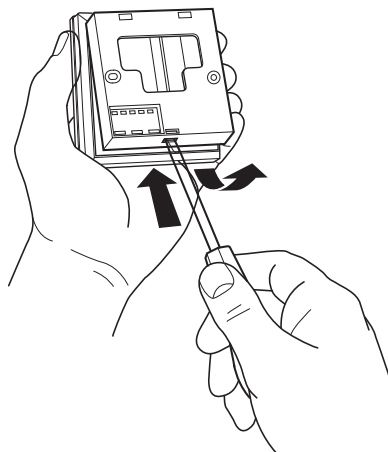
ES

FR

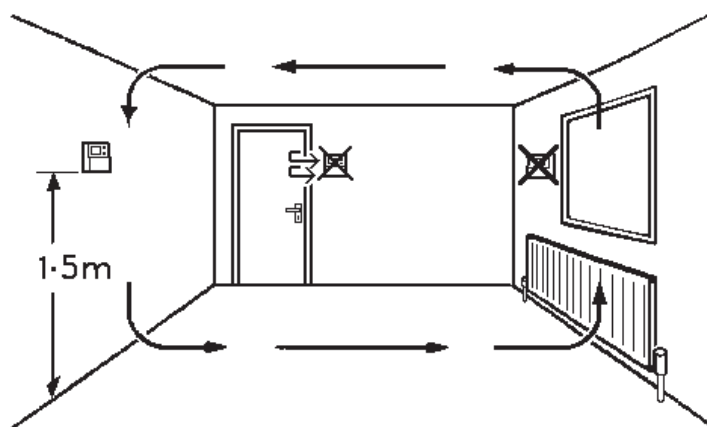
NL

RU

TR



Fix at a height of 1.5m approx from the floor, away from draughts or heat sources such as radiators, open fires or direct sunlight.

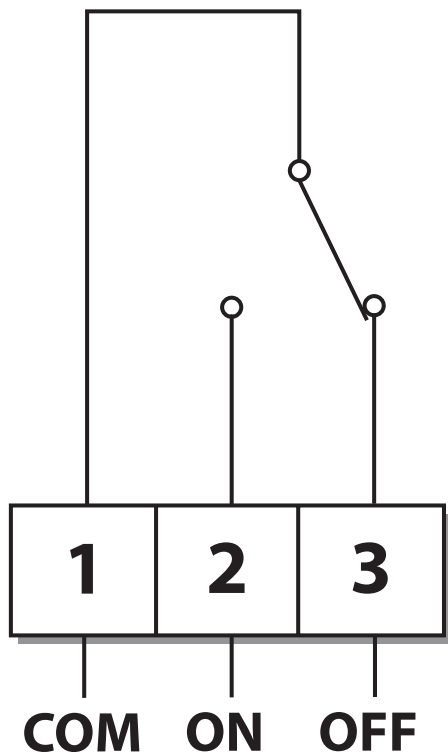


Please Note:

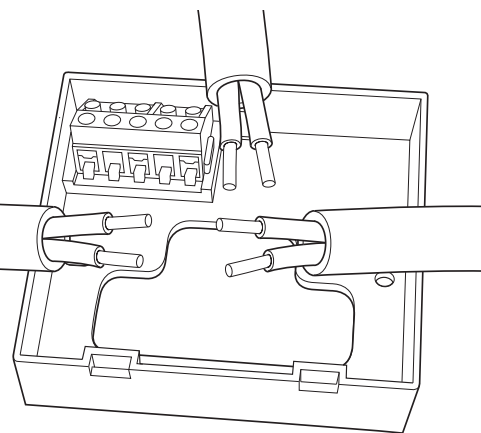
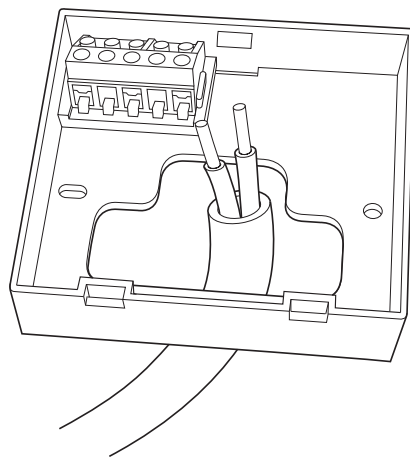
This product should only be installed by a qualified electrician or competent heating installer and should be in accordance with the current edition of the IEE wiring regulations.

Wiring

RET1000B



4



GB

DE

DK

ES

FR

NL

RU

TR

Wiring

RET1000M

GB

DE

DK

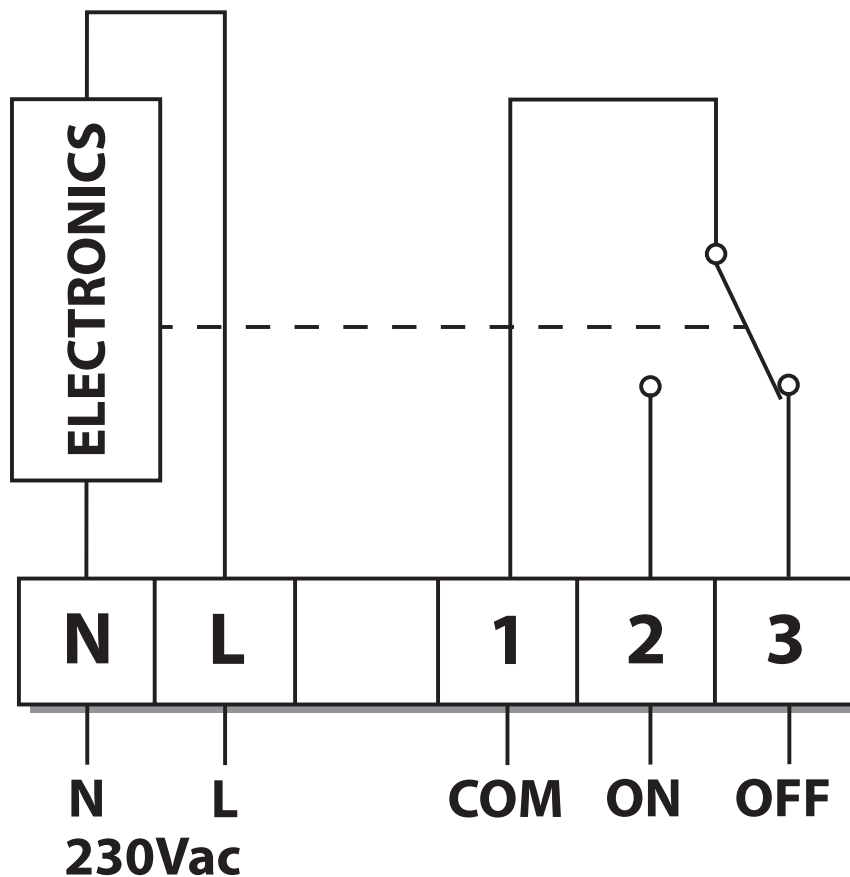
ES

FR

NL

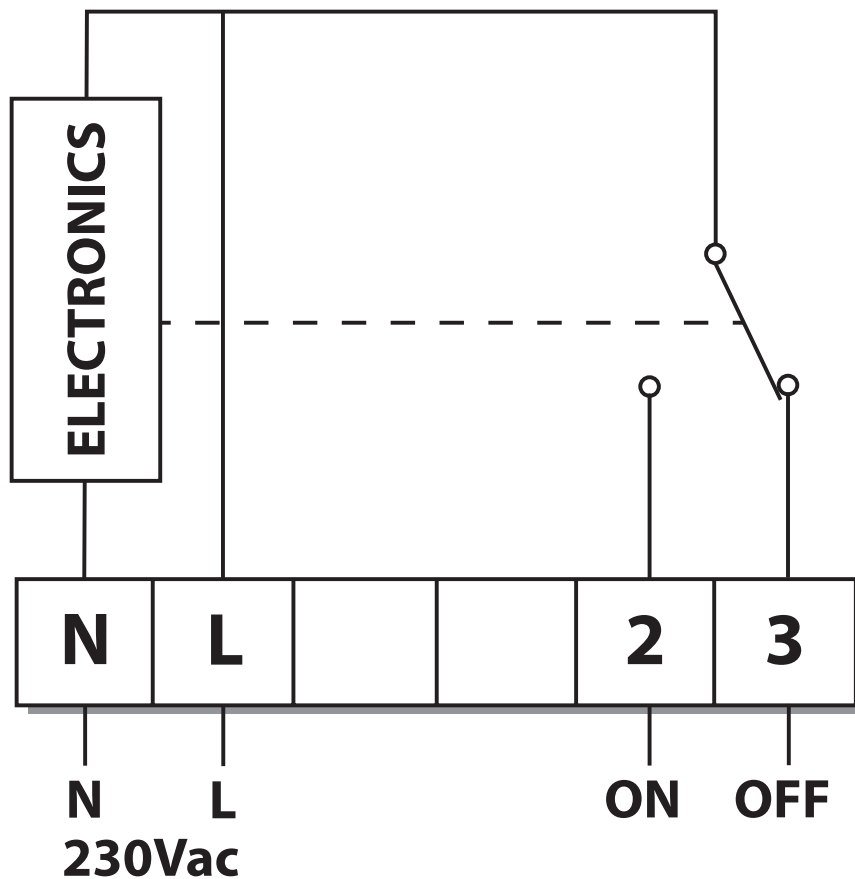
RU

TR



Wiring

RET1000MS



GB

DE

DK

ES

FR

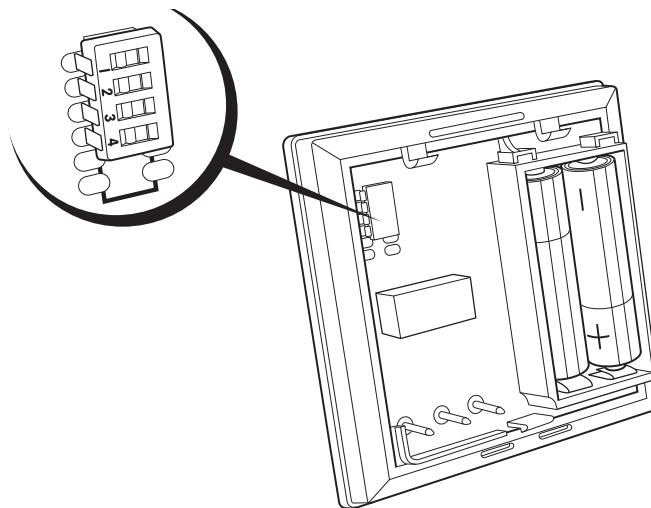
NL

RU

TR

DIL switch settings

Slide the DIL switches to the settings required.



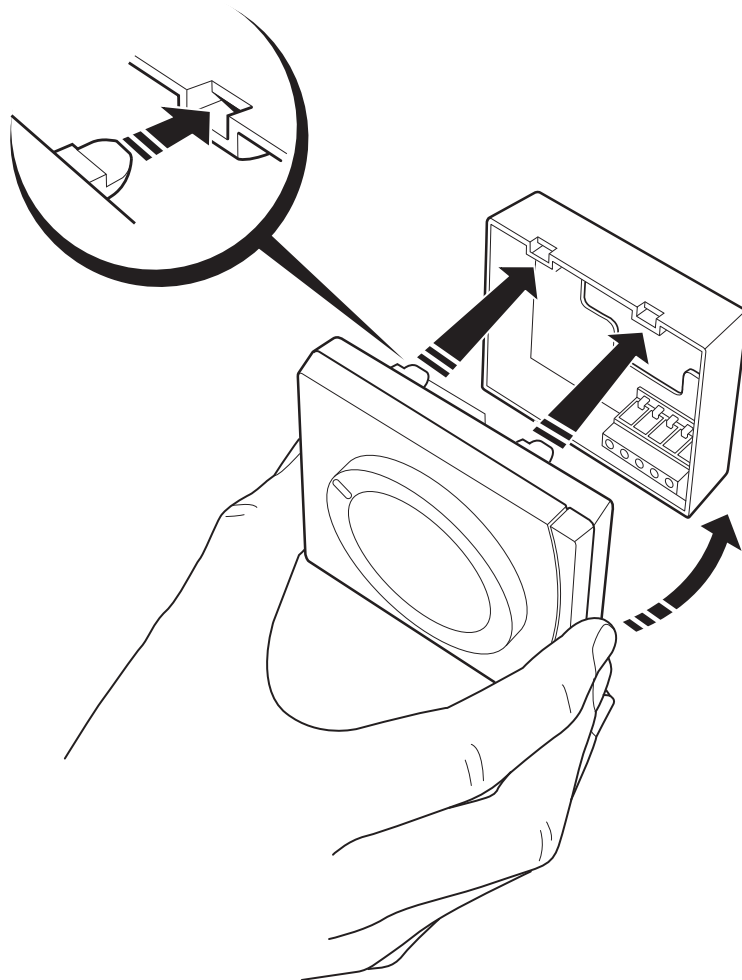
ON/OFF - boiler switches ON when below set temperature and OFF when above.

CHRONO - energy saving feature which fires the boiler at regular intervals to maintain a set temperature, achieving a constant ambient environment for the user.

- o use **6 Cycles** for radiator systems
- o use **3 Cycles** for underfloor heating

CHRONO	1	ON/OFF
6 CYCLES	2	3/12 CYCLES
3 CYCLES	3	12 CYCLES
NOT USED	4	NOT USED

Mounting (continued)



GB

DE

DK

ES

FR

NL

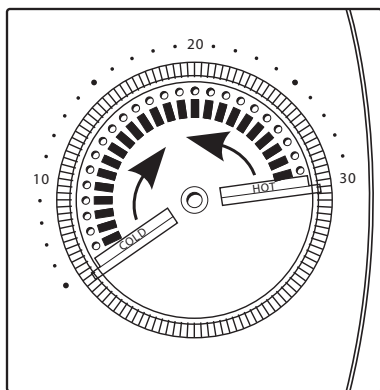
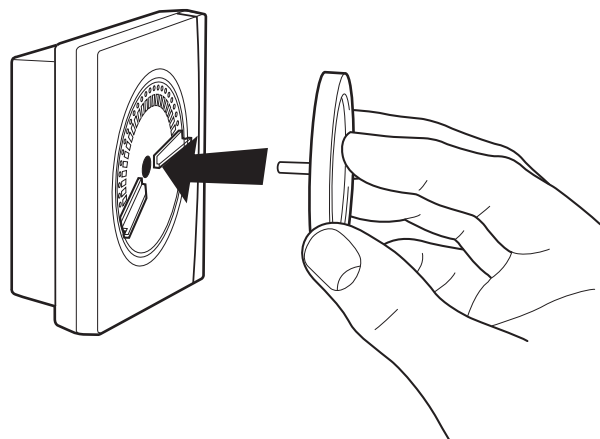
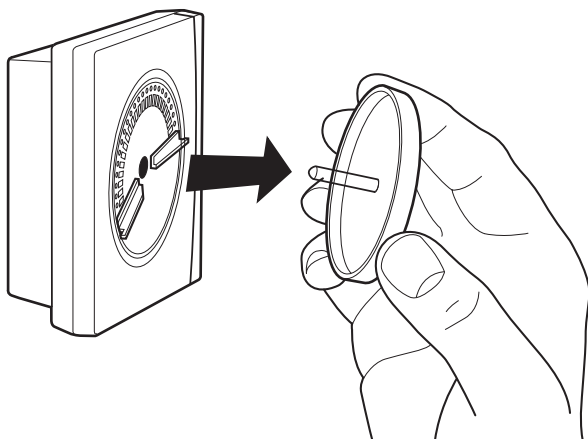
RU

TR

Limiting

GB

Limiting - allowing the user to alter the temperature within a predefined range, which is less than the full range of the product (i.e. between 18-22°).



DE

DK

ES

FR

NL

RU

TR

GB

DE

DK

ES

FR

NL

RU

TR

ENGINEERING
TOMORROW



Danfoss Ltd

Amphill Road
Bedford MK42 9ER

Tel: 01234 364621

Fax: 01234 219705

Email: ukheating@danfoss.com

Website: www.heating.danfoss.co.uk

Part No 45026v02 03/14

VIRKQ202