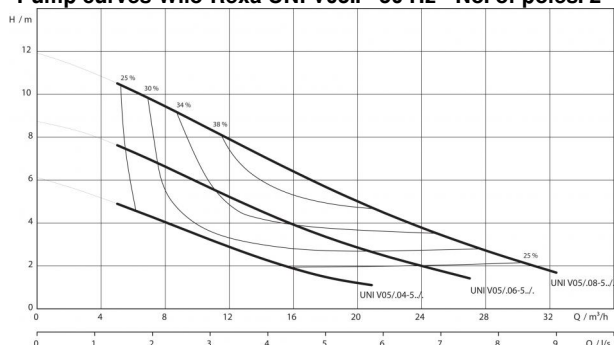


Data sheet: Rexa UNI V05/T08-540

Pump curves Wilo-Rexa UNI V05.. - 50 Hz - No. of poles: 2



Pump curves acc. to ISO 9906, Appendix A. The specified degrees of efficiency correspond to the hydraulic efficiency.

Unit

Max. delivery head H_{max}	11.9 m
Max. volume flow Q_{max}	32.4 m³/h
Optimal delivery head H_{opt}	6.3 m
Optimum volume flow Q_{opt}	16.2 m³/h
Pressure connection	DN 50
Flanges (according to EN 1092-2) PN	PN 10
Connection standard	EN 1092-2
Maximum operating pressure p_{max}	1.3 bar
Free ball passage	44 mm
Operating mode (immersed)	S1
Operating mode (non-immersed)	S2-15 min S3-10%
Max. immersion depth	7 m
Protection class	IP 68
Fluid temperature T	+3 ... +40 °C
Weight approx. m	14.4 kg

Motor data

Mains connection	3~400 V, 50 Hz
Rated current I_N	1.83 A
Rated power P_2	0.75 kW
Power consumption P_1	1.06 kW
Power factor $\cos \varphi$	0.83
Activation type	Direct
Rated speed n	2,797 rpm
No. of poles	2
Insulation class	F
Max. switching frequency	30 1/h
Permitted voltage tolerance	±10 %

Cable

Length of connecting cable	10 m
Cable type	H07RN-F
Cable cross-section	6G1 mm²
Type of connecting cable	Detachable
Mains plug	-

Equipment/function

Float switch	-
Motor protection	Bimetal
Explosion protection	-

Materials

Static seal	NBR
Impeller	PP-GF30
Sealing on motor side	Carbon/steatite
Mechanical seal	SiC/SiC
Motor housing	1.4301
Pump housing	PP-GF30
Pump shaft	1.4401 [AISI316]

Data sheet: Rexa UNI V05/T08-540

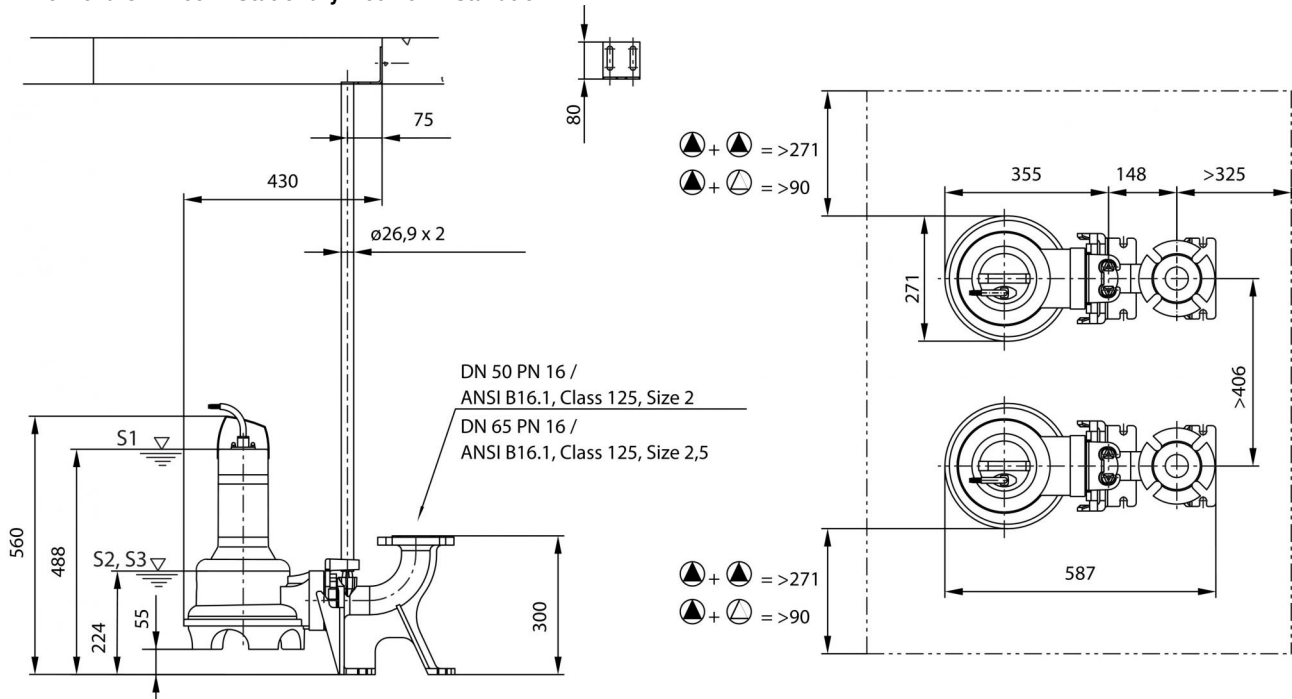
Information for order placements

Make	Wilo
Art no.	6082123
EAN number	4048482757773
Price group	PG7

Dimensions and dimensions drawings: Rexa UNI V05/T08-540

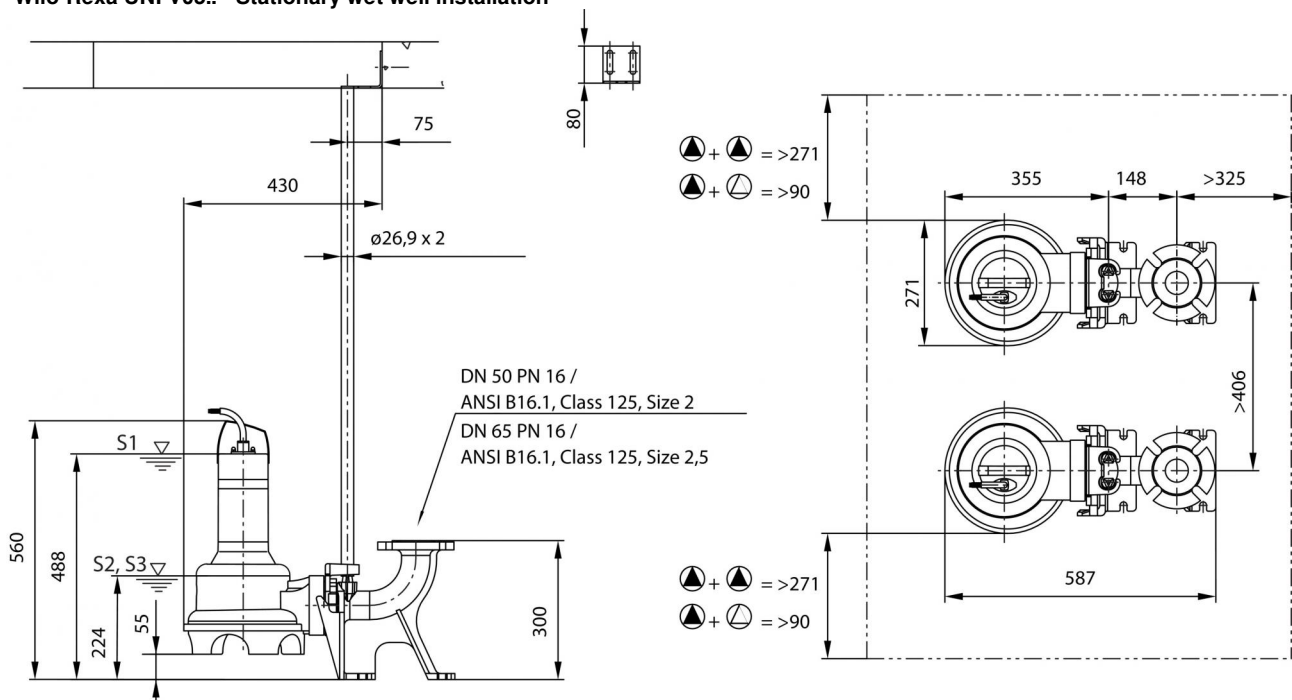
Dimension drawing

Wilo-Rexa UNI V05.. - Stationary wet well installation



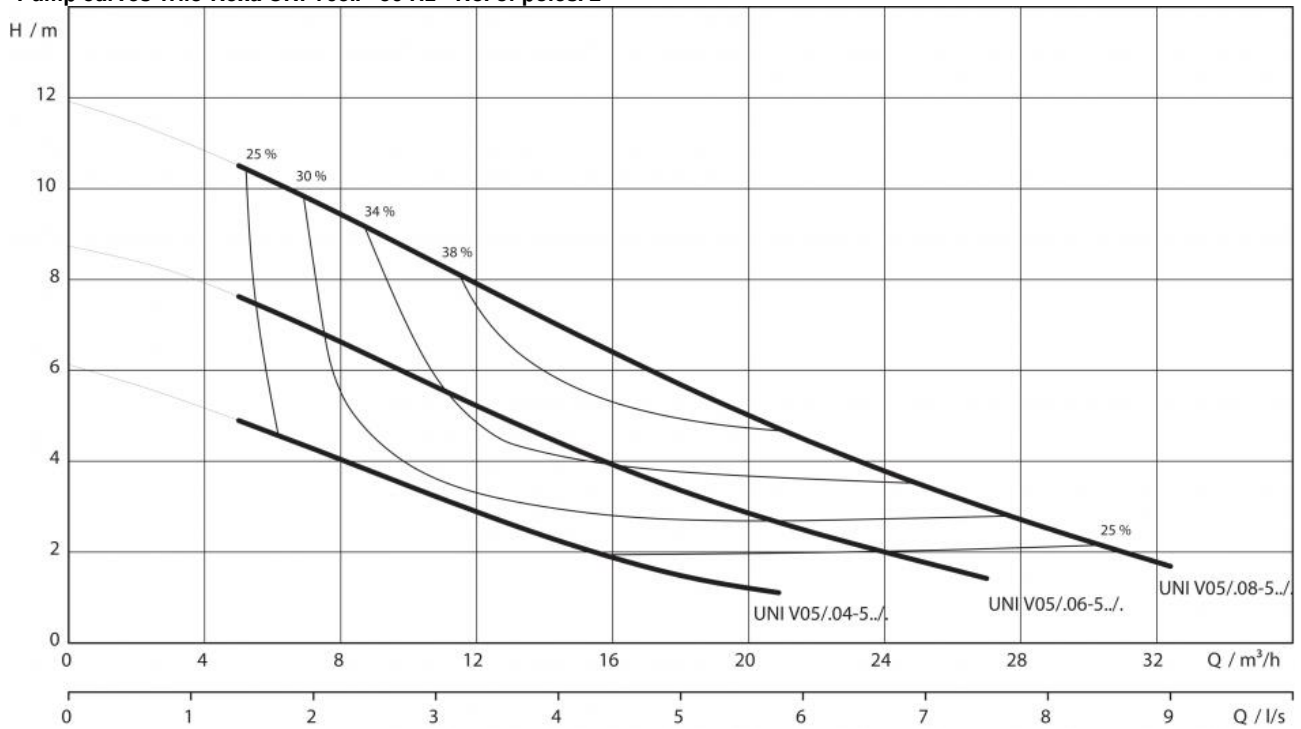
Dimension drawing

Wilo-Rexa UNI V05.. - Stationary wet well installation



Pump curves: Rexa UNI V05/T08-540

Pump curves Wilo-Rexa UNI V05.. - 50 Hz - No. of poles: 2



Pump curves acc. to ISO 9906, Appendix A. The specified degrees of efficiency correspond to the hydraulic efficiency.

Tender text: Rexa UNI V05/T08-540

Fully submersible sewage pump for stationary and transportable wet well installation for pumping wastewater and sewage containing faeces (within the scope of validity of EN 12050-1). Hydraulics housing and impeller made of copolymer, motor housing made of stainless steel. Pressure connection with horizontal pressure outlet as flange connection with integrated fixation and flat gasket. Surface-cooled motor in three-phase current version with double seal and thermal motor monitoring. 10 m detachable connection cable with bare cable end.

Unit

Pressure connection: DN 50
 Flanges (according to EN 1092-2) PN: PN 10
 Connection standard: EN 1092-2
 Maximum operating pressure p_{max} : 1.3 bar
 Free ball passage: 44 mm
 Operating mode (immersed): S1
 Operating mode (non-immersed): S2-15 min
 Max. immersion depth: 7 m
 Protection class: IP 68
 Fluid temperature T : +3 ... +40 °C
 Weight approx. m : 14.4 kg

Motor data

Mains connection: 3~400 V, 50 Hz
 Rated current I_N : 1.83 A
 Rated power P_2 : 0.75 kW
 Power consumption P_1 : 1.06 kW
 Power factor $\cos \varphi$: 0.83
 Activation type: Direct
 Rated speed n : 2,797 rpm
 No. of poles: 2
 Insulation class: F
 Max. switching frequency: 30 1/h
 Permitted voltage tolerance: ± 10 %

Cable

Length of connecting cable: 10 m
 Cable type: H07RN-F
 Cable cross-section: 6G1 mm²
 Type of connecting cable: Detachable
 Mains plug: -

Materials

Static seal: NBR
 Impeller: PP-GF30
 Sealing on motor side: Carbon/steatite
 Mechanical seal: SiC/SiC
 Motor housing: 1.4301
 Pump housing: PP-GF30
 Pump shaft: 1.4401 [AISI316]

Equipment/function

Float switch: -
 Motor leakage detection: -
 Sealing chamber leakage detection: ⁹
 Leakage chamber leakage detection: -
 Motor protection: Bimetall
 Explosion protection: -

Information for order placements

Art no.: 6082123
 EAN number: 4048482757773
 Price group: PG7
 Make: Wilo